

ICPC4G64

15.6W

Industrial Touch Panel PC
15.6 Inch Widescreen Capacitive Touch

INC FURE

Industrial touch screen monitors



Features

- 15.6 inch Widescreen Monitor
- Capacitive Touchscreen
- CPU Intel Core i3 3110M 2.4GHz
- RAM DDR3 4GB (Option 8GB)
- SSD 64GB (Option 128/256GB)
- Support RJ45x1 & WIFI 2.4G
- HDMI+VGA Signal Input
- Support USB
- Aluminum Casing
- Front Panel IP65 Level
- Supports VESA Mount / Embedded Mount
- DC 12 V Input

- The industrial display adopts aluminum alloy and sheet metal structure with compact shape. It is an industrial product specially designed for various environments.
- To ensure long-term stable work in harsh environments, we pay more attention to its reliability and environmental adaptability in the materials used for the whole machine.
- Timeliness, expandability, EMC compatibility and other performance, configure high-definition HDMI interface, VGA interface, DVI interface, USB touch
- Interface, a variety of application interfaces to meet the needs of the scene, provide a variety of work performance, widely used in industrial control, military, communications,
- Electric power, network and other high-end automation fields.

Product Parameters

- Specially built for industry, with high temperature resistance, anti-corrosion, anti-pressure shock, fine workmanship, long service life, suitable for a variety of harsh environments, the whole
- The high-efficiency heat dissipation design of the computer is compatible with fan heat dissipation, and the interior is simple and free of redundant wiring, ensuring that the embedded computer can work uninterruptedly in harsh environments.
- Capacitive touch screen, more intuitive operation, more interesting, not easy to touch by mistake, extremely durable, and compatible with resistive touch
- Equipped with a wealth of diversified input and output interfaces to connect various types of required equipment



ICPC4G64-15.6W

Industrial Touch Panel PC

Specifications

PROCESSOR

- CPU Intel Core i3 3110M 2.4GHz GEN3 (Option Core i3 6100U 2.3GHz GEN6)
- RAM DDR3 4GB (Up to 8GB)
- SSD 64GB (Up to 128GB/256GB)
- USB 2.0 x3 USB 3.0 x1
- COMx2
- HDMI / VGA x1
- RJ45 Interface 10/100/1000 Mbps
- Support WIFI 2.4Ghz
- Audio x1 In / Line out x1
- OS Support Win7 /Win10 /Linux OS

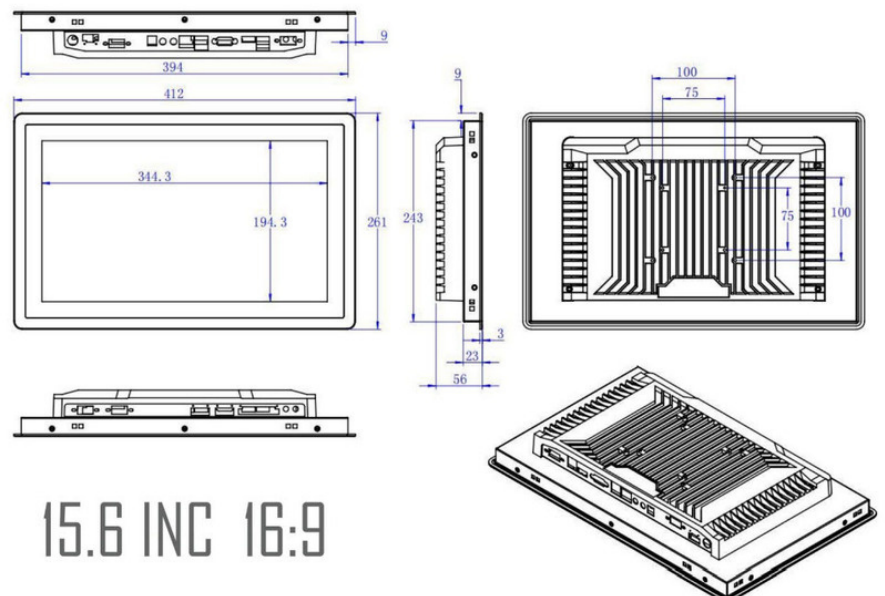
SCREEN PARAMETERS

- 15.6" Widescreen
- Max Resolution 1920x1080
- Ratio 16:9 Colors 16.7M
- Backlight lifetime 50000 H
- Contrast ratio 1000:1
- Response time 6.5ms
- 10 Touch point
- Display area 334.3x194.3mm
- Brightness 250cd/m2
- multi-point capacitive touch screen
- Resolution 500DPI
- Input method Handwriting or capacitive pen
- Surface hardness 6H
- Calibration Support

ENVIRONMENT & POWER

- Operating temp -10 °C to 60 °C
- Storage temp -40 °C to 70 °C
- Humidity: 95% Non-Condensing
- Time(MTBF) 7x24H
- Body size 412x261x56mm
- Net weight 9.8 kg
- Power input AC 100-240V 50/60Hz through CCC certification, CE
- Voltage 12V (upgradeable 12-36V)
- Power (maximum) 25W
- Power (standby) 3W
- Power output with power adapter DC12V / 5A

DIMANSION



15.6 INC 16:9

